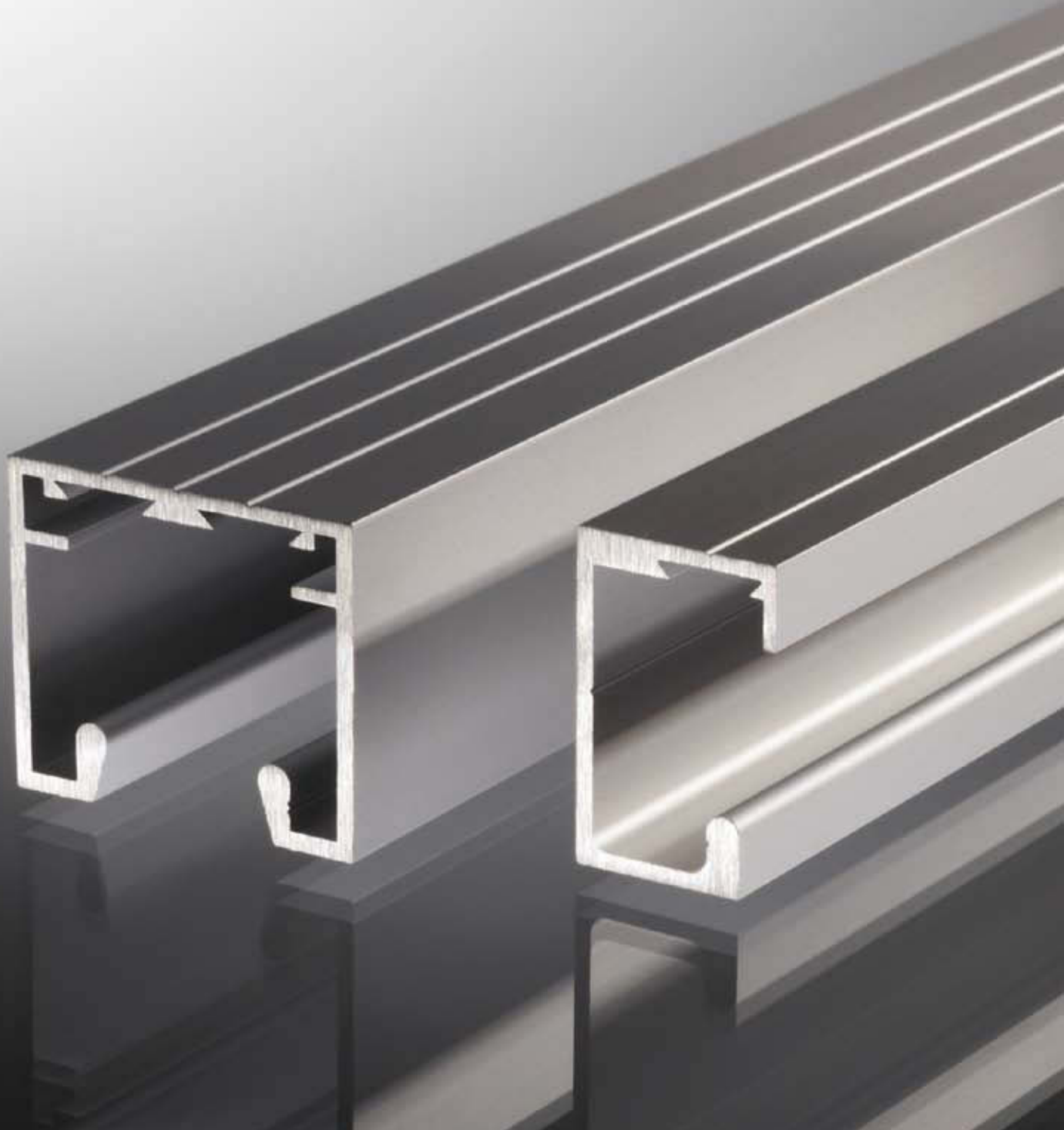
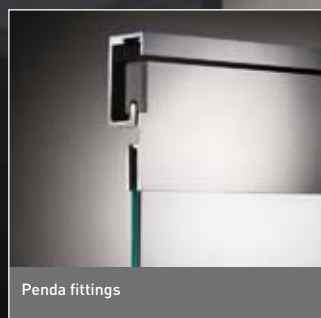


vitris penda / bipenda

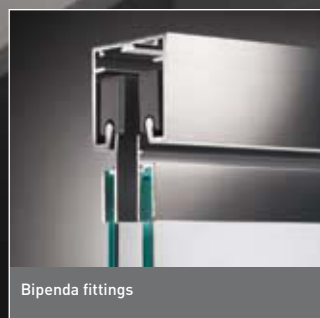
Fittings system for hanging sliding doors up to for 8 mm glass thickness



Concealed roller technology



Penda fittings



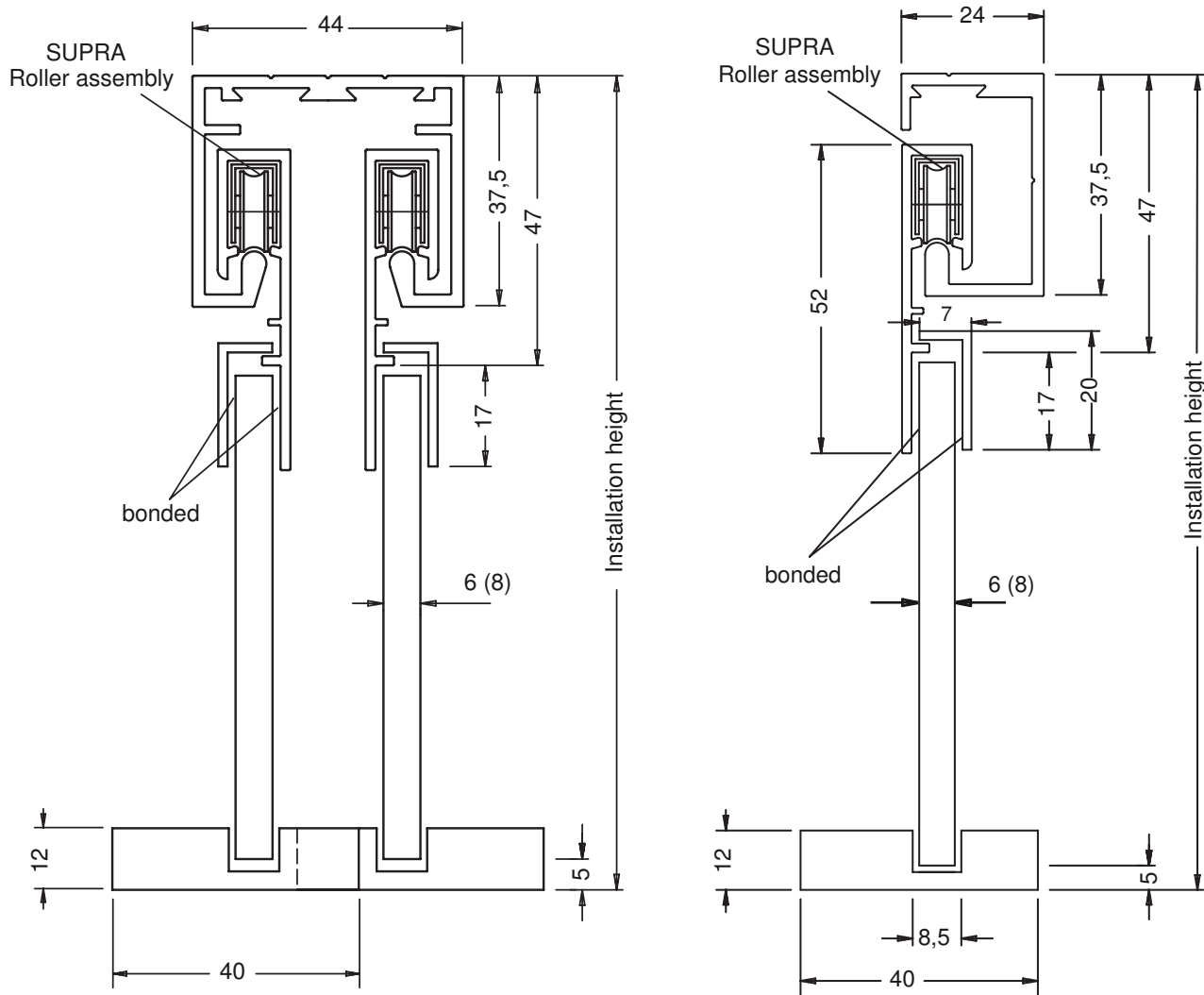
Bipenda fittings



Glass door lock



penda / bipenda fittings up to 8 mm glass thickness

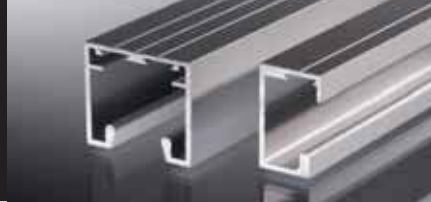


Glass cutting dimensions:
installation height /. 52





Recommendation for bonding the sashes:
UV light-curing adhesive for glass / metal-combinations
or
two-component adhesive such as UHU-PLUS Endfest 300

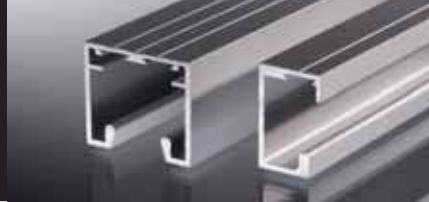
Max. load 2 roller assemblies = 25 kg
Max. load 4 roller assemblies = 50 kg

(see SUPRA p. 7)



penda / bipenda fittings up to 8 mm glass thickness

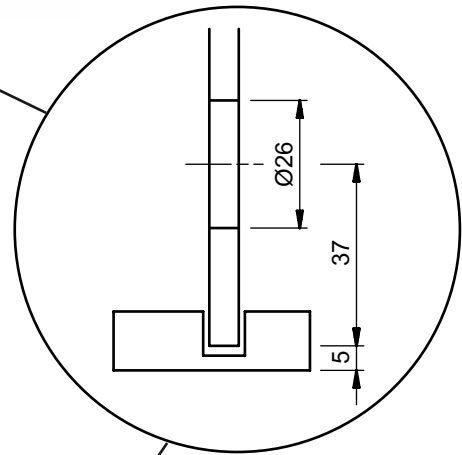
	Designation	Article number	Specification
	<p>Sliding track Length: 5 metres Quantity: 10 metres</p>	615 010.5000.110	AL E 6 / EV 1 natural
	<p>Twin sliding track Length: 5 metres Quantity: 10 metres</p>	615 020.5000.110	AL E 6 / EV 1 natural
	<p>Hanging profile Length: 5 metres Quantity: 10 metres</p>	615 030.5000.110	AL E 6 / EV 1 natural
	<p>Cover profile Length: 5 metres Quantity: 10 metres</p>	615 040.5000.110	AL E 6 / EV 1 natural

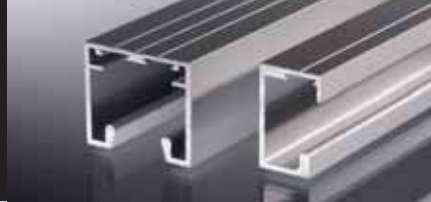


penda / bipenda fittings up to 8 mm glass thickness



Instructions
Glass drill hole





penda / bipenda fittings up to 8 mm glass thickness

	Designation	Article number	Specification
	SUPRA roller assembly with steel ball bearing roller plastic covered Quantity: 100	605 050.0000.440	Galvanised spring steel housing
	End plate Quantity: 20	615 070.0000.610	Plastic natural aluminium
	Damping device for clip-on mounting into sliding track/twin sliding track Quantity: 20	615 080.0000.870	Grey rubber
	Lower guide for glass pane with opening for glass door lock latch Quantity: 20	615 100.0000.610	Plastic natural aluminium
	Glass door lock with locking latch in lower guide up to 6 mm glass thickness Locking bolt 26 mm Glass drill hole 26 mm Ø Quantity: 10	620 420.0002.415	Plastic nickel-plated
	SECURA Cylinder core interchangeable with 2 keys to pass to differ	606 630.0000.415 606 631.0000.415	Zinc nickel-plated Zinc nickel-plated